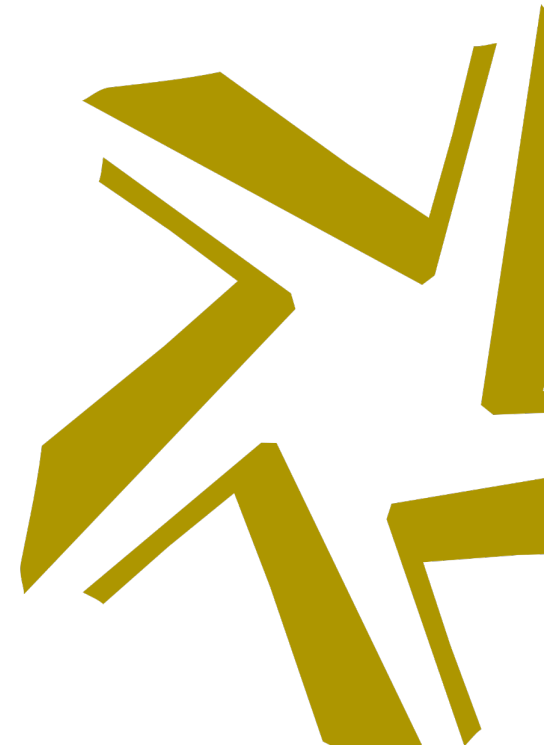




Built Environment Transformation Award



BUILT ENVIRONMENT TRANSFORMATION AWARDS



ABOUT THE AWARD

Launched in 2022, the inaugural BCA Built Environment Transformation Award accords recognition to building and civil/infrastructure projects that have attained high standards in sustainability, productivity and digitalisation, and also demonstrated the commitment to the transformation of our BE sector.

AWARD CATEGORY

- Commercial/Mixed Development Buildings
- Industrial Buildings
- Institutional Buildings
- Residential Buildings
- Civil and Infrastructure



NATIONAL CANCER CENTRE SINGAPORE

(INSTITUTIONAL BUILDINGS)



Project Info

National Cancer Centre is a state-of-the-art medical facility with specialised medical treatment equipment. It consists of 24-storey and 4-level basement with total GFA of 90.043m²

Project Team

MOH HOLDINGS

Developer

CIAP

CIAP ARCHITECTS PTE LTD

Architect

SHIMIZU CORPORATION
SHMZ

Contractor

ARUP

C&S Consultant

AECOM

M&E Consultant

G-ENERGY
IMAGINE. INSPIRE. INNOVATE

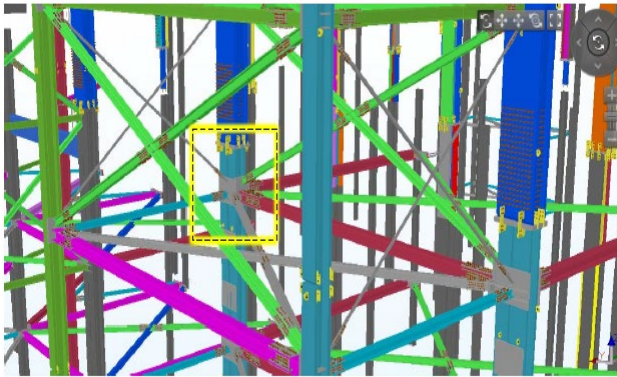
ESD Consultant

NATIONAL CANCER CENTRE SINGAPORE

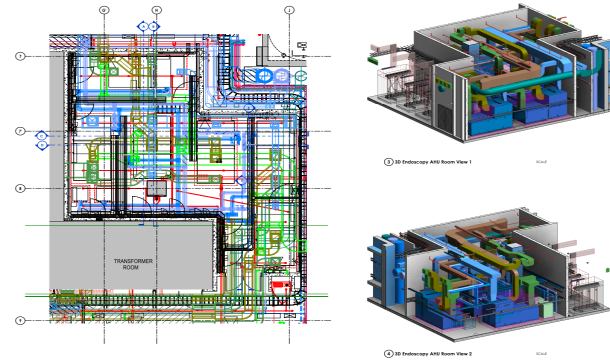
(INSTITUTIONAL BUILDINGS)

Embraced digital technologies into the project's design, construction, and management processes

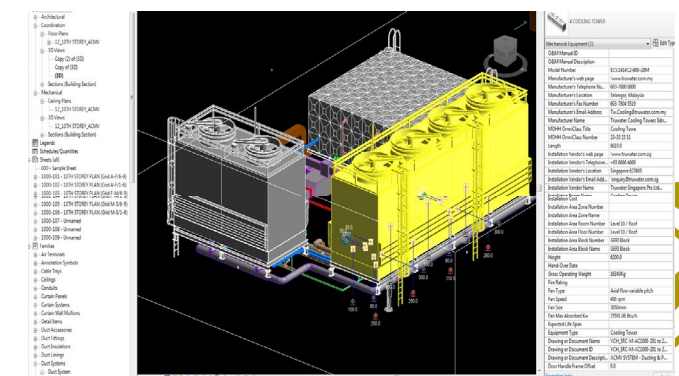
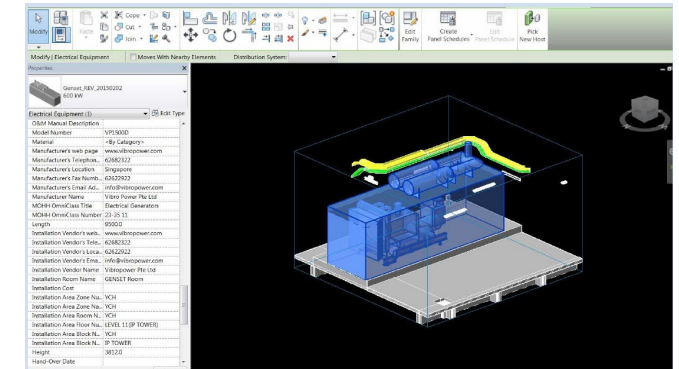
Use of Revit-Ifc-Tekla for coordination and study highly complex joint details



BIM & Virtual Design and Construction (VDC) collaboration



BIM for Facility Management

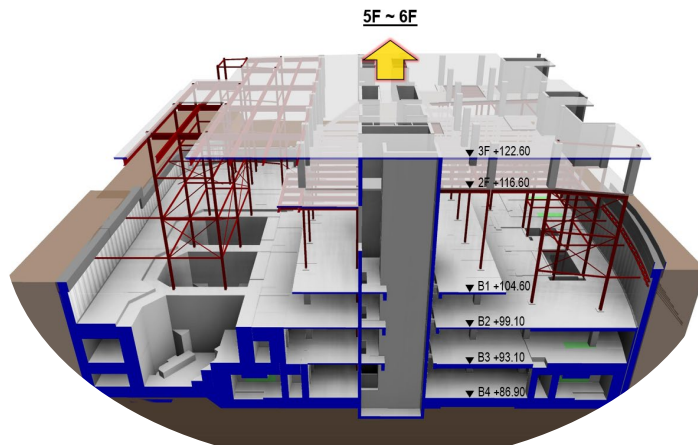


NATIONAL CANCER CENTRE SINGAPORE

(INSTITUTIONAL BUILDINGS)

Demonstrated strong collaboration across the value chain to identify and resolve issues early

Engage builder early for complex construction of deep basement and superstructure



Close to 50 Shimizu and Subcons' staff collaborate together in VDC room



Engagement with user for the sample selection



NATIONAL CANCER CENTRE SINGAPORE

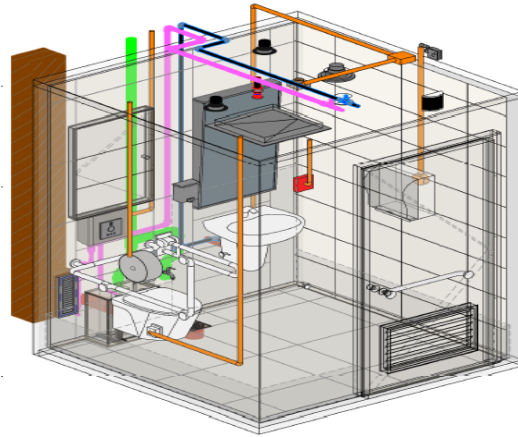
(INSTITUTIONAL BUILDINGS)

Adopted advanced construction technology to achieve greater productivity

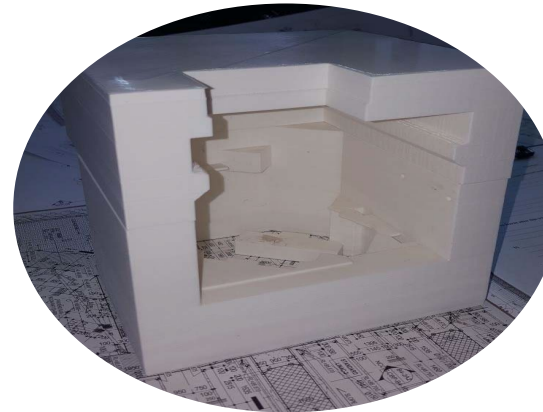
*Precast Column Structural
Steel from level 14 - 24*



*Used 153 PBUs
covering 75% of the development*



*3D printed bunker for
study and visualisation*



*Use Drone to track the
project progress*



Organiser



An Initiative Under

